



dew drops

loomma





inspiration



**DEW DROPS**  
Nature's gems on blades of grass.

Dew drops sparkling on a thin blade of grass expose the elemental beauty of nature that continues to fascinate us. The intimately familiar, yet still charming, shape of dew drops inspired this collection with its precise details.

Lit by an internal light source offering an exceptional esthetic experience, the crystal objects, with hints of iridescence, adhere tightly to hand-sewn bands from an innovative material or high-quality leather.

Design by Boris Klimek



## DEW DROPS

Nature's gems on blades of grass.

The BOMMA Dew Drops Collection will surprise you with its variable installation possibilities and the option to create unique compositions in space. The result is always a distinct and artistic installation, the centerpiece gleaming from every

Design by Boris Klimek



production

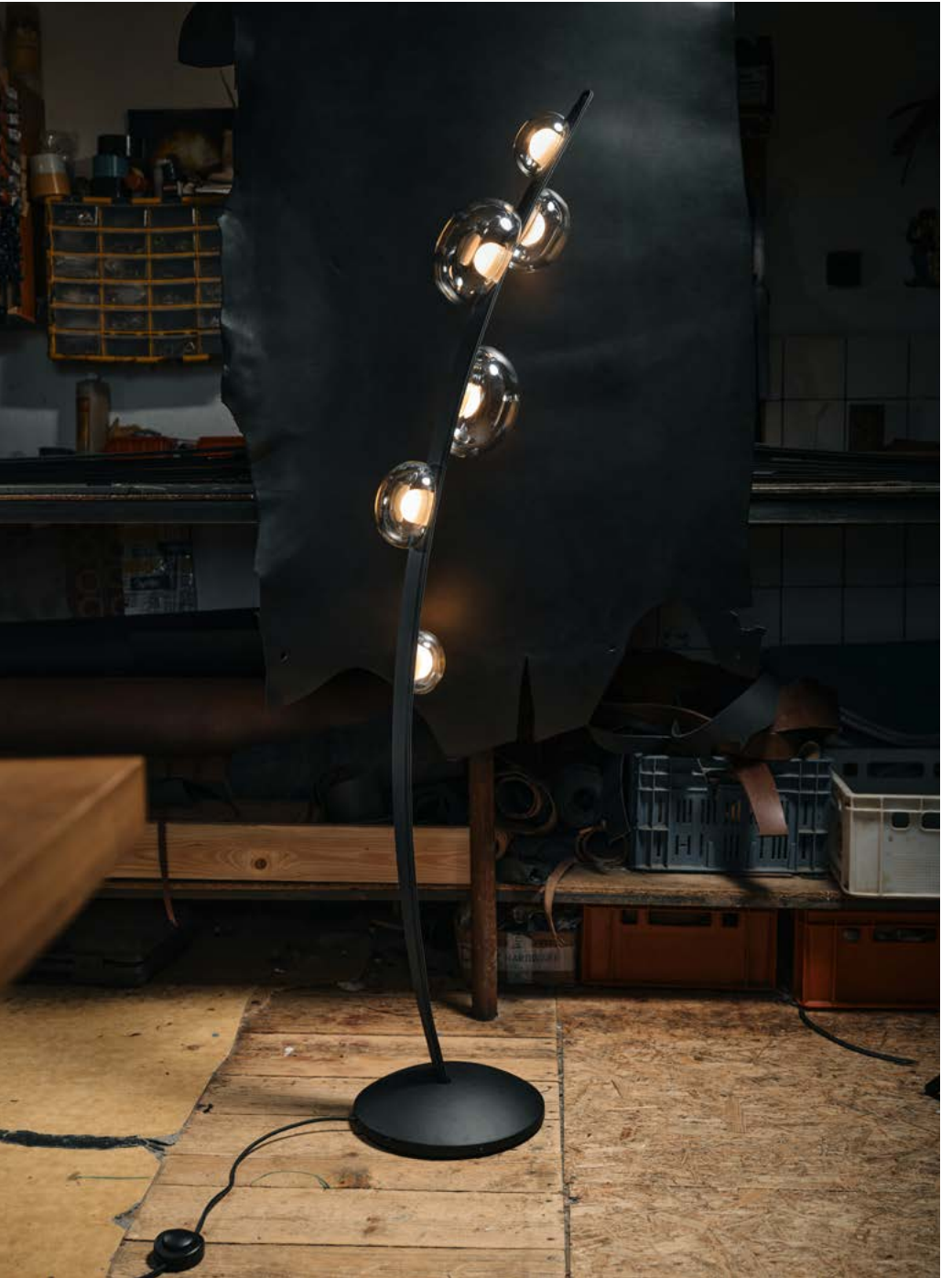




Handmade production of Dew Drops



Handmade production of Dew Drops



Handmade production of Dew Drops



projects



visualization by Monument office

bomma



BOMMA Dew Drops wall lighting - 9 pcs (3x small, 3x medium, 3x large)



BOMMA Dew Drops floor lamp







visualization by Monument office



visualization by Monument office



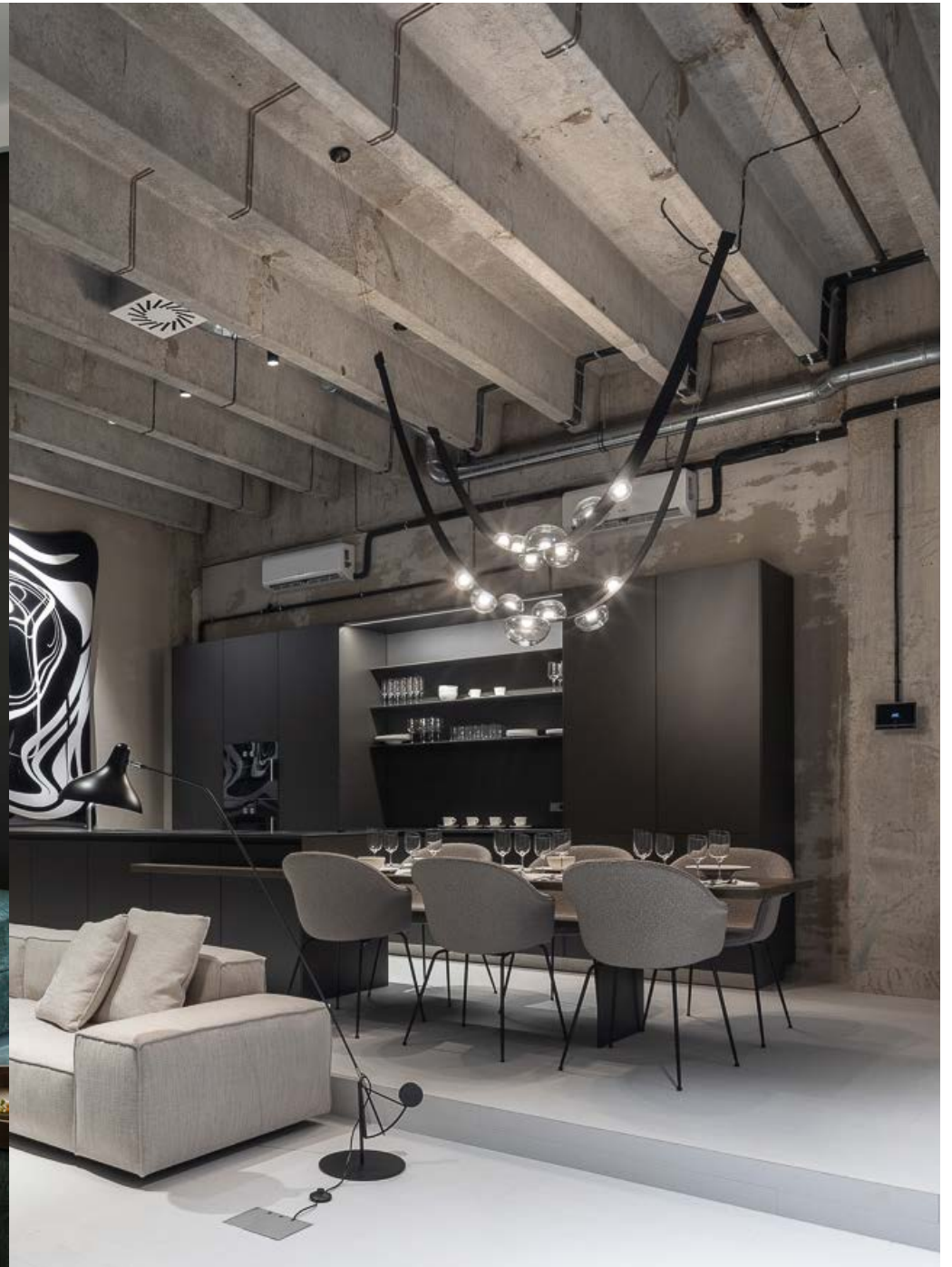
Image by Studio Salaris



Vizualization AR Visuals



Private residence by MUM Studio, Poland, 2022



Vanguard residence, Czechia, 2022



Maison Diez Company, Mexico, 2022

options



single pendant

glass: iridescent metal coating

fitting: black leather, black vegan leather (option to customize the color)

# pendant





floor lamp

glass: iridescent metal coating

fitting: black vegan leather

floor



large



medium



small

wall & ceiling

customization

## HOW TO ORDER CUSTOMIZED DEW DROPS

- MOQ 2 pcs
- Lead time 16 weeks

### **Choose:**

1) BELT - color of the vegan leather and thread

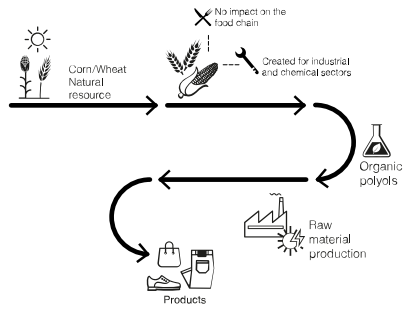
2) CANOPIES - color

3) DIMMING - type

After making your selection, contact us at [info@bomma.cz](mailto:info@bomma.cz) or find your closest store at [www.bomma.cz/store-locator](http://www.bomma.cz/store-locator).

# ① Choose belt:

Bomma is using Viridis® vegan leather for Dew Drop light. Viridis® not only has a green origin due to its ingredients but it also shows to be sustainable throughout its entire life. As shown in the Life Cycle Assessment (LCA) report, the production technology, developed specifically for Viridis®, uses bio-based raw materials that have a very limited environmental impact compared to traditional ones.



01

vegan leather - **029 M - Sand**

thread - **0039 - Sabbia**

02

vegan leather - **060 M - Nude**

thread - **0055 - Pelle**

03

vegan leather - **006 M - Beige**

thread - **0036 - Antilope**

04

vegan leather - **007 M - Cognac**

thread - **0097 - Cognac**

05

vegan leather - **001 M - Brown**

thread - **0015 - Marrone**

06

vegan leather - **002 M - Dark brown**

thread - **0103 - Cioccolato**

07

vegan leather - **008 M - Khaki**

thread - **0065 - Fango**

08



vegan leather - **Black - standard**



thread - **005 - Nero**

09

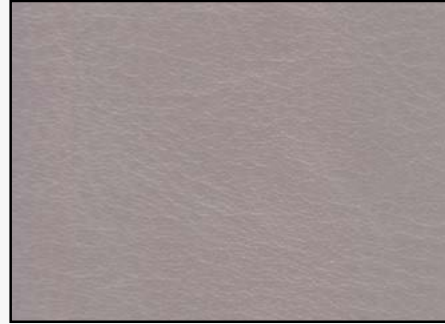


vegan leather - **003 M - Grey**

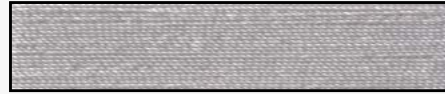


thread - **005 - Nero**

10



vegan leather - **021 M - Light grey**



thread - **0109 - Acciaio**

11



vegan leather - **106 M - Off white**



thread - **0111 - Bianco**

12



vegan leather - **014 C - Dark Silver**



thread - **0089 - Topo**

13



vegan leather - **022 M - Blue**

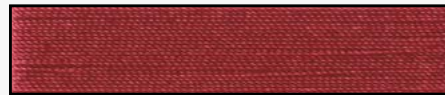


thread - **0009 - Bleu**

14



vegan leather - **024 M - Red**



thread - **0067 - Sangue**

15



vegan leather - **100 M - Yellow**



thread - **0008 - Avana**

DEW DROPS CUSTOMIZATION OPTIONS - BELTS

## ② Choose canopy:

Brushed brass



Black



White



## ③ Choose dimming:

### DALI

Digital Addressable Lighting Interface (DALI), is a standardized protocol for lighting control. It enables digital communication among lighting devices, allowing precise control over brightness levels. DALI's two-wire bus system facilitates flexible and interoperable dimming of individual or grouped lights. This technology is known for its seamless integration with building management systems, promoting energy efficiency through centralized control and monitoring of lighting conditions.

- needs 5 cable electric wiring

### TRIAC/ELV

TRIAC or ELV is a semiconductor device commonly used in dimmer switches for incandescent and some dimmable LED/CFL lights. It regulates light intensity by modifying the AC waveform, controlling the power delivered to the bulb. TRIAC dimming is cost-effective and straightforward, but compatibility issues may arise with certain dimmable LEDs and fixtures.

- needs 3 cable electric wiring
- suitable for older el. installations

### CASAMBI

CASAMBI is a wireless lighting control system using Bluetooth technology for dimming lights. It allows users to wirelessly control individual or grouped lights through a mobile app, offering features like scene setting and scheduling. CASAMBI's mesh network ensures reliable communication, making it versatile for various lighting applications. With a user-friendly interface and broad compatibility, CASAMBI is popular for creating smart and customizable lighting solutions in both residential and commercial settings.

- needs 3 cable electric wiring
- done by Bluetooth

technical informations



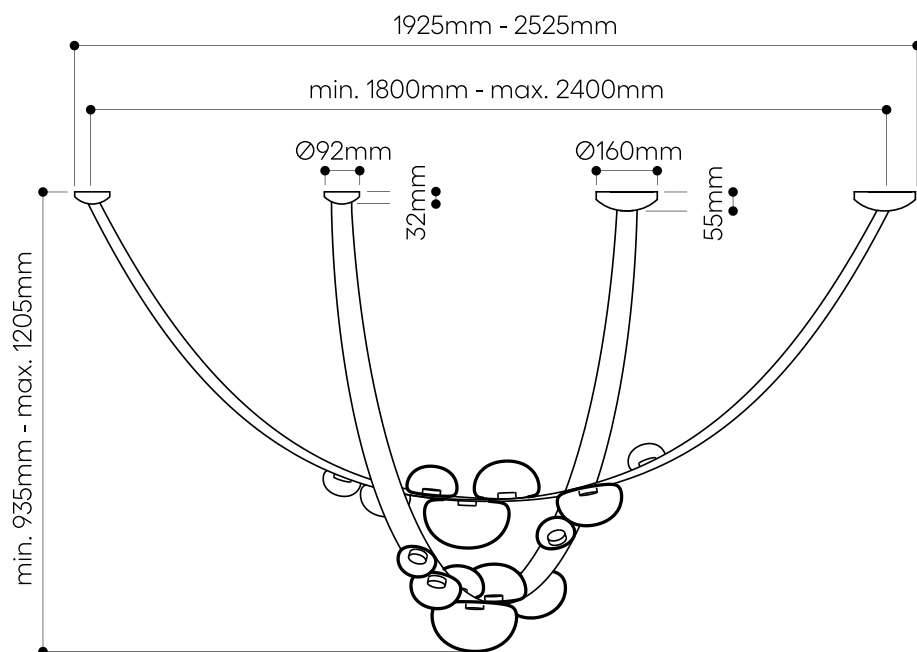
# DEW DROPS pendant

Design by  
Boris Klimek

## Handmade glass attributes

All Bomma products are hand-made from mouth-blown lead-free crystal. Therefore any small bubbles, non-melts and irregularities in the glass are both proof and a characteristic feature of this traditional craft.

The intensity and color shade of the iridescent metal-coating may vary slightly from product to product. Small dots in the coating, especially visible after the light is on, are not a defect of the product.



## LIGHTING DESCRIPTION

Size	dia. min. 1925 max. 2525 mm, H max. 1205 mm dia min. 75,8 max. 99,4 inch, H max. 47,4 inch
	overall length of the luminaire 3m
Strap	black leather, black vegan leather (option to customize the color) 3 m / 118 inch
Weight	+ - 8 kg / 17,6 lb
Glass	mouth-blown lead-free crystal with iridescent metal coating
Canopy	black comaxit
Protection	IP 20
Nominal voltage	Vtyp 34 V DC, I <sub>max</sub> 700 mA 110-120 V / A.C. 60 Hz (USA)
Class	II. EU / I. USA

## LIGHT SOURCE

Type	LED MCOB (7x) 23,5 W (+-5%), 700 mA, 1470 lm
Voltage	V <sub>typ</sub> 10-50V DC, I <sub>max</sub> 700 mA A.C. 50-60 hz EU, US
Temperature	2700 K
Color index	RA 90+
Dimming	Dimmable with TRIAC, ELV, 0-10V, PUSH, DALI, CASSAMBI

## PACKAGING

Material	Cardboard
Size	1000 × 1000 × 300 mm 39,4 × 39,4 × 11,8 inch
Origin:	traditionally produced in the Czech Republic
Intellectual property license holder:	Bomma Czech Republic (EU)
Represented by	BMRC group s.r.o.

CERTIFICATES



bomma

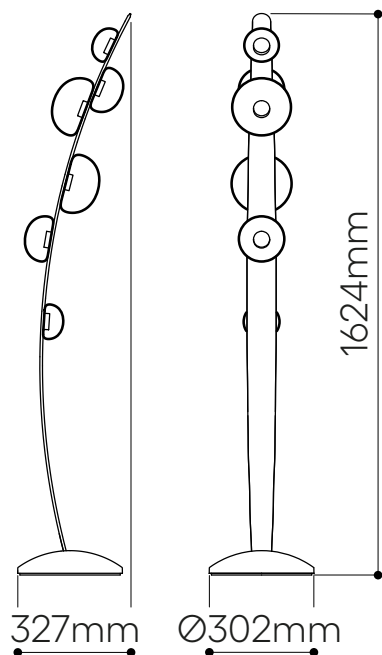
# DEW DROPS floor

Design by  
Boris Klimek

## Handmade glass attributes

All Bomma products are hand-made from mouth-blown lead-free crystal. Therefore any small bubbles, non-melts and irregularities in the glass are both proof and a characteristic feature of this traditional craft.

The intensity and color shade of the iridescent metal-coating may vary slightly from product to product. Small dots in the coating, especially visible after the light is on, are not a defect of the product.



## LIGHTING DESCRIPTION

Size	dia 327 mm, H 1624 mm dia 12,87 inch, H 63,9 inch
Cable	black cable 1,8 m / 70,86 inch
Weight	+/- 30 kg / 66 lb
Glass	mouth-blown lead-free crystal with iridescent metal coating
Mounting	black vegan leather (option to customize the color), black comaxit
Protection	IP 20
Nominal voltage	Vtyp 34 V DC, I <sub>max</sub> 600 mA 110-120 V / A.C. 60 Hz (USA)
Class	II. EU / I. USA

## LIGHT SOURCE

Type	LED MCOB (6x) 21,5 W (+-5%), 600 mA, 1260 lrr
Voltage	Vtyp 34 V DC, I <sub>max</sub> 700 mA A.C. 50-60 hz EU, US
Temperature	2700 K
Color index	RA 90+
Dimming	Dimmable with TRIAC, ELV, 0-10V, PUSH, CASSAMBI

## PACKAGING

Material	Cardboard
Size	1725 x 352 x 357 mm 67,9 x 13,8 x 14 inch

Origin: traditionally produced in the Czech Republic  
Intellectual property license holder: Bomma Czech Republic (EU)  
Represented by BMRC group s.r.o.

CERTIFICATES



bomma

# DEW DROPS

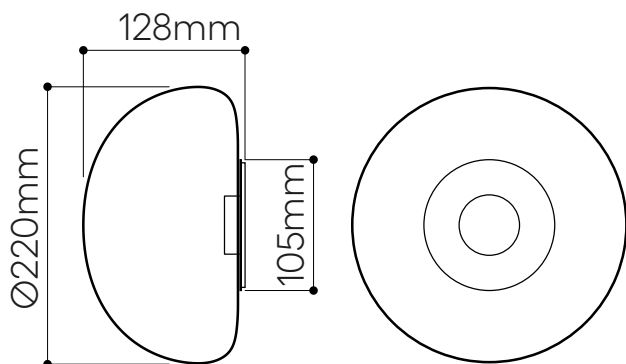
## wall & ceiling large

Design by  
Boris Klimek

### Handmade glass attributes

All Bomma products are hand-made from mouth-blown lead-free crystal. Therefore any small bubbles, non-melts and irregularities in the glass are both proof and a characteristic feature of this traditional craft.

The intensity and color shade of the iridescent metal-coating may vary slightly from product to product. Small dots in the coating, especially visible after the light is on, are not a defect of the product.



### LIGHTING DESCRIPTION

Size	dia 220 mm, H 128 mm dia 8,6 inch, H 5,03 mm
Weight	+ - 1 kg / 2,2 lb
Glass	mouth-blown lead-free crystal with iridescent metal coating
Mounting	silver mirror
Protection	IP 20
Nominal voltage	Vtyp 34 V DC, I <sub>max</sub> 250 mA 30-42 V / A.C. 60 Hz (USA)
Class	II. EU / I. USA

### LIGHT SOURCE

Type	LED MCOB, 6 W (+5%), 250 mA, 450 lm
Voltage	Vtyp 30-42V DC, I <sub>max</sub> 250 mA A.C. 50-60 hz EU, US
Temperature	2700 K
Color index	RA 90+
Dimming	Dimmable with TRIAC, ELV, 0-10V, PUSH, DALI

### PACKAGING

Material	Cardboard
Size	330 x 330 x 225 mm 13 x 13 x 8,8 inch

Origin: traditionally produced in the Czech Republic  
Intellectual property license holder: Bomma Czech Republic (EU)  
Represented by BMRC group s.r.o.

CERTIFICATES



bomma

# DEW DROPS

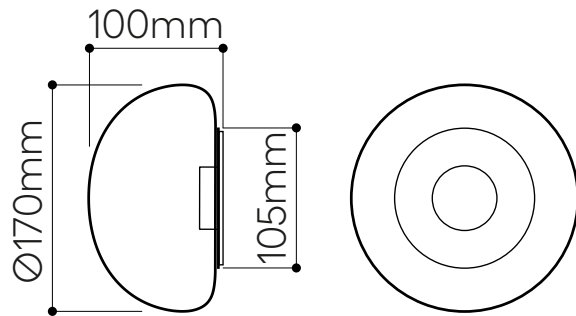
## wall & ceiling medium

Design by  
Boris Klimek

### Handmade glass attributes

All Bomma products are hand-made from mouth-blown lead-free crystal. Therefore any small bubbles, non-melts and irregularities in the glass are both proof and a characteristic feature of this traditional craft.

The intensity and color shade of the iridescent metal-coating may vary slightly from product to product. Small dots in the coating, especially visible after the light is on, are not a defect of the product.



### LIGHTING DESCRIPTION

Size	dia 170 mm, H 100 mm dia 6,69 inch, H 3,93 mm
Weight	+ - 0,7 kg / 1,54 lb
Glass	mouth-blown lead-free crystal with iridescent metal coating
Mounting	silver mirror
Protection	IP 20
Nominal voltage	Vtyp 34 V DC, I <sub>max</sub> 250 mA 30-42 V / A.C. 60 Hz (USA)
Class	II. EU / I. USA

### LIGHT SOURCE

Type	LED MCOB, 6 W (+-5%), 250 mA, 450 lm
Voltage	V <sub>typ</sub> 30-42V DC, I <sub>max</sub> 250 mA A.C. 50-60 hz EU, US
Temperature	2700 K
Color index	RA 90+
Dimming	Dimmable with TRIAC, ELV, 0-10V, PUSH, DALI

### PACKAGING

Material	Cardboard
Size	230 x 220 x 220 mm 9 x 8,6 x 8,6 inch

Origin: traditionally produced in the Czech Republic  
Intellectual property license holder: Bomma Czech Republic (EU)  
Represented by BMRC group s.r.o.

CERTIFICATES



bomma

# DEW DROPS

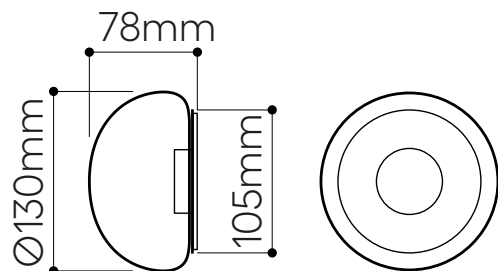
## wall & ceiling small

Design by  
Boris Klimek

### Handmade glass attributes

All Bomma products are hand-made from mouth-blown lead-free crystal. Therefore any small bubbles, non-melts and irregularities in the glass are both proof and a characteristic feature of this traditional craft.

The intensity and color shade of the iridescent metal-coating may vary slightly from product to product. Small dots in the coating, especially visible after the light is on, are not a defect of the product.



### LIGHTING DESCRIPTION

Size	dia 130 mm, H 78 mm dia 5,11 inch, H 3,07 mm
Weight	+ - 0,6 kg / 1,32 lb
Glass	mouth-blown lead-free crystal with iridescent metal coating
Mounting	silver mirror
Protection	IP 20
Nominal voltage	V <sub>typ</sub> 34 V DC, I <sub>max</sub> 250 mA 30-42 V / A.C. 60 Hz (USA)
Class	II. EU / I. USA

### LIGHT SOURCE

Type	LED MCOB, 6 W (+-5%), 250 mA, 450 lm
Voltage	V <sub>typ</sub> 30-42V DC, I <sub>max</sub> 250 mA A.C. 50-60 hz EU, US
Temperature	2700 K
Color index	RA 90+
Dimming	Dimmable with TRIAC, ELV, 0-10V, PUSH, DALI

### PACKAGING

Material	Cardboard
Size	185 x 165 x 165 mm 7,3 x 6,5 x 6,5 inch

Origin: traditionally produced in the Czech Republic  
Intellectual property license holder: Bomma Czech Republic (EU)  
Represented by BMRC group s.r.o.

CERTIFICATES



bomma

BMRC Group s.r.o.  
Port7 – building D  
Pod Dráhou 1638/7  
170 00, Prague  
Czech Republic

[info@bomma.cz](mailto:info@bomma.cz)

step beyond